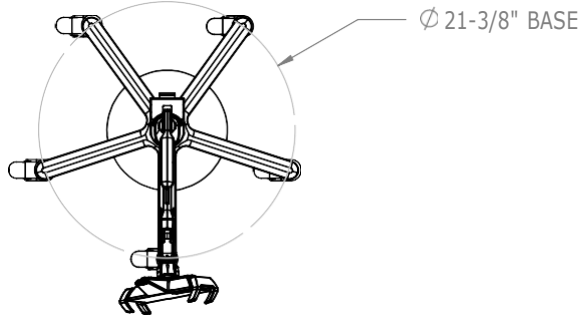


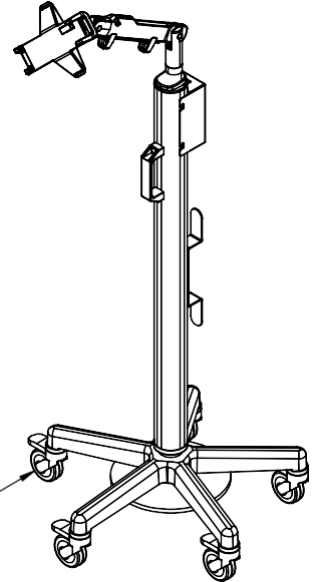
SPEC DRAWING



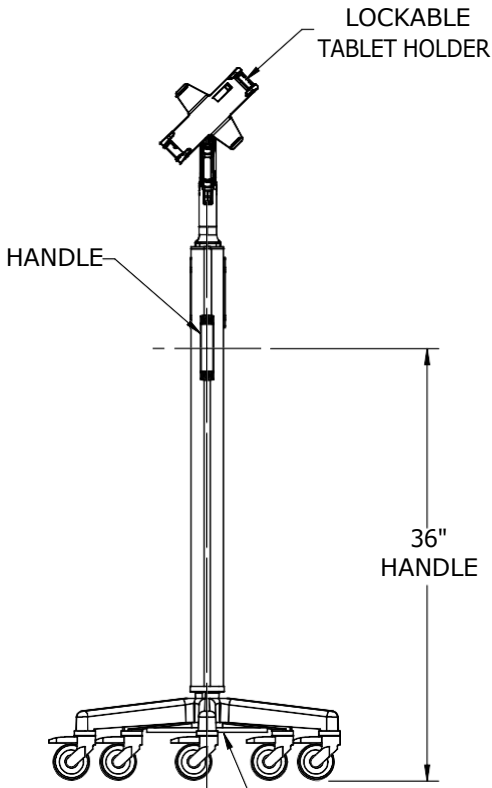
TOP VIEW

Ø 21-3/8" BASE

ISOMETRIC VIEW



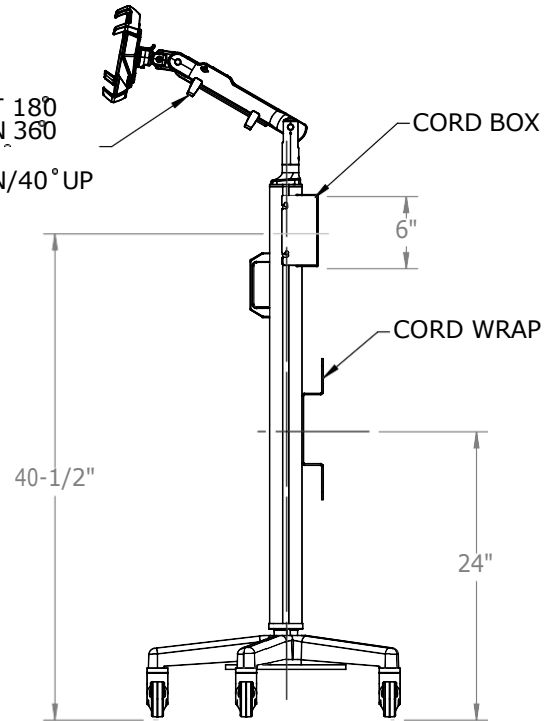
(3) 3" COVERED LOCKING CASTERS
(2) 3" COVERED NON-LOCKING CASTERS



FRONT VIEW

(2) COUNTER WEIGHT - 9 LBS. EACH

JOINT MOVEMENT 180°
TABLET ROTATION 360°
TABLET PAN 180°
ARM ANGLE 30° DOWN/40° UP



SIDE VIEW

PROPRIETARY AND CONFIDENTIAL

THE INFORMATION CONTAINED IN THIS DRAWING IS THE SOLE PROPERTY OF FIRST HEALTHCARE PRODUCTS. ANY REPRODUCTION IN PART OR AS A WHOLE WITHOUT THE WRITTEN PERMISSION OF FIRST HEALTHCARE PRODUCTS IS PROHIBITED.



DESCRIPTION:

SIZE A	CART NO. R11430-016	REV 01
WEIGHT: 40 LBS.		SHEET 1 OF 1