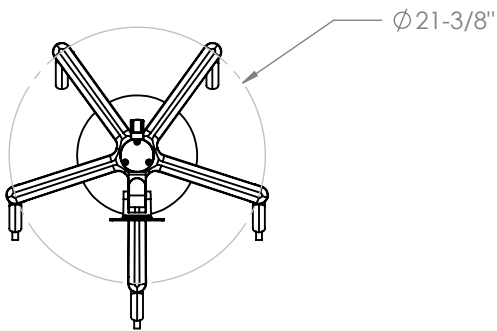
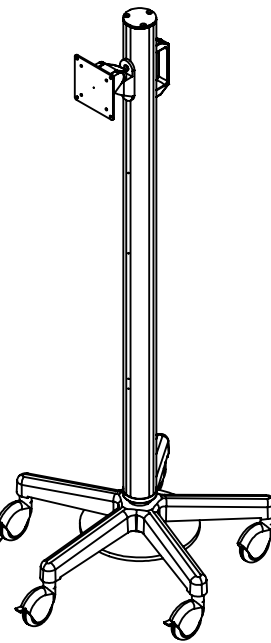


SPEC DRAWING

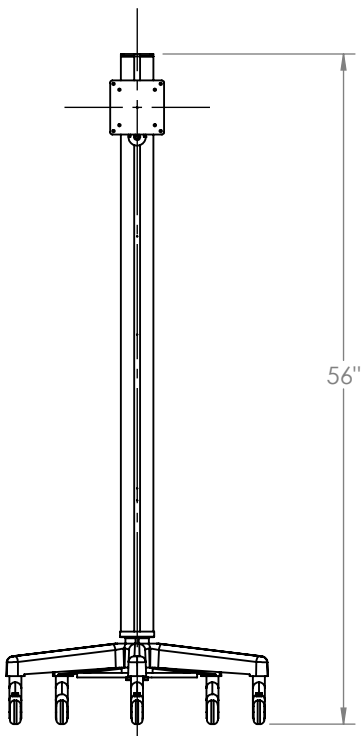


TOP VIEW

(2) 4" COVERED CASTERS - LOCKING
(2) 4" COVERED CASTERS - NON LOCKING

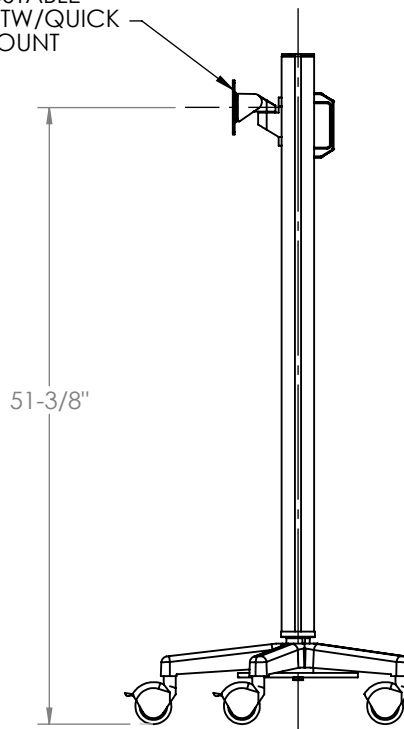


ISOMETRIC VIEW



FRONT VIEW

HEIGHT ADJUSTABLE
MONITOR MOUNTW/QUICK
RELEASE MOUNT



SIDE VIEW

PROPRIETARY AND CONFIDENTIAL

THE INFORMATION CONTAINED IN THIS DRAWING IS THE SOLE PROPERTY OF FIRST HEALTHCARE PRODUCTS. ANY REPRODUCTION IN PART OR AS A WHOLE WITHOUT THE WRITTEN PERMISSION OF FIRST HEALTHCARE PRODUCTS IS PROHIBITED.

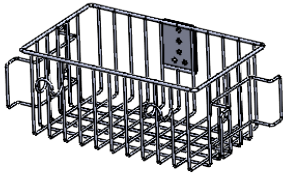


DESCRIPTION:

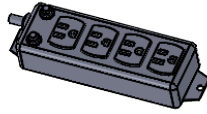
MOV-IT TABLET ROLL STAND

SIZE A	CART NO. MOVITRS	REV -
WEIGHT: 25 LBS.		SHEET 1 OF 2

ACCESSORY OPTIONS



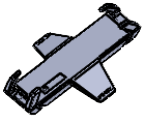
B6W
BASKET W/HOOKS, 13"x8"x6"
REQUIRES FACTORY MOUNTING



E3
TRIPP-LITE LIT, 15'
STRAIGHT CORD
REQUIRES FACTORY MOUNTING



F05
CORD WRAP
REQUIRES FACTORY MOUNTING



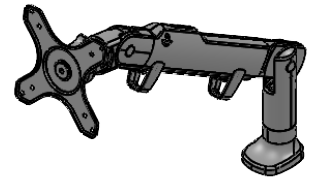
M4T
LOCKABLE TABLET MOUNT



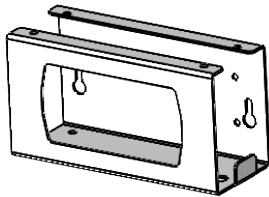
M12
JABRA MOUNT



M14
20" FLEX ARM W/MAGNET
REQUIRES FACTORY MOUNTING



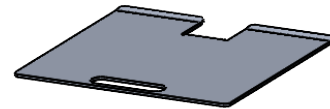
M18
DYNAMIC ARM
REQUIRES FACTORY MOUNTING



M20
SINGLE GLOVE BOX
REQUIRES FACTORY MOUNTING



M21
CAVI WIPE KIT
REQUIRES FACTORY MOUNTING



M25
SHROUD MOUNTED SHELF
REQUIRES FACTORY MOUNTING

PROPRIETARY AND CONFIDENTIAL

THE INFORMATION CONTAINED IN THIS DRAWING IS THE SOLE PROPERTY OF FIRST HEALTHCARE PRODUCTS. ANY REPRODUCTION IN PART OR AS A WHOLE WITHOUT THE WRITTEN PERMISSION OF FIRST HEALTHCARE PRODUCTS IS PROHIBITED.



DESCRIPTION:

MOV-IT TABLET ROLL STAND

SIZE A	CART NO. MOVITRS	REV -
WEIGHT: 25 LBS.		SHEET 2 OF 2