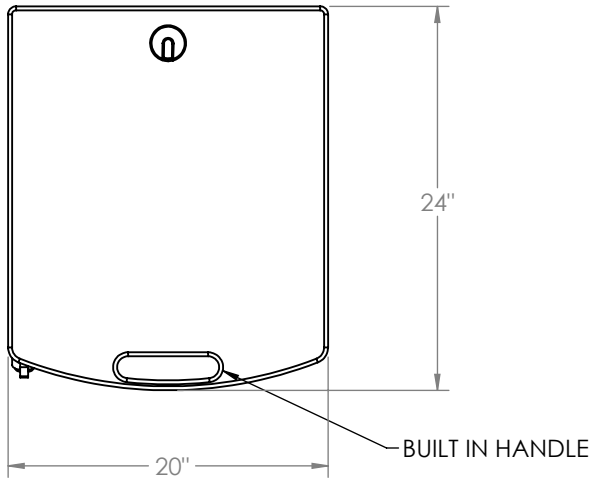
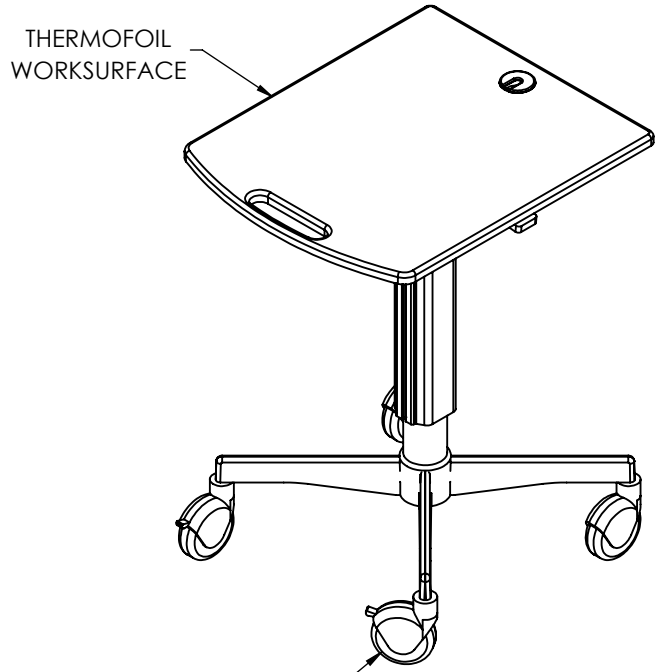


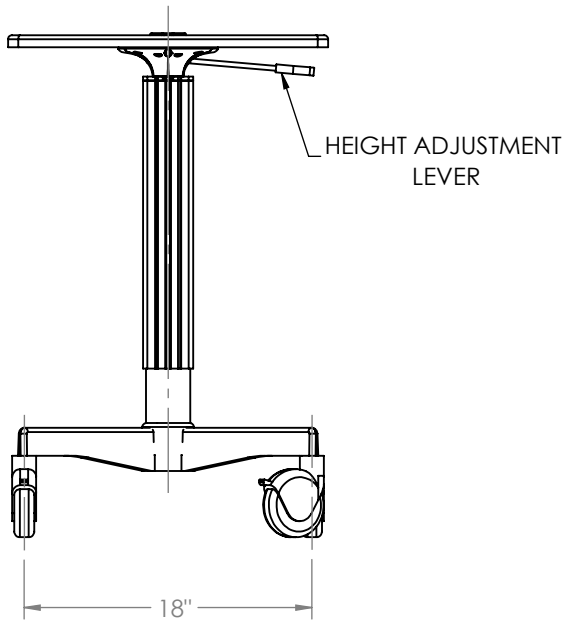
SPEC DRAWING



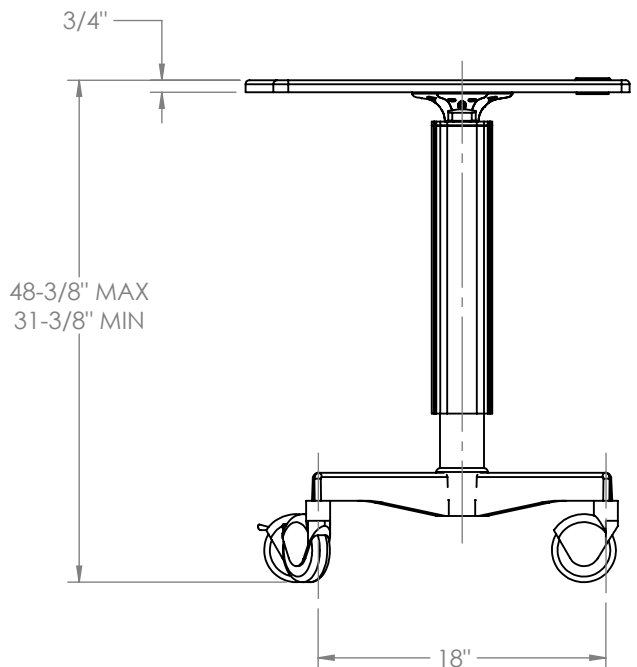
TOP VIEW



ISOMETRIC VIEW



FRONT VIEW



SIDE VIEW

PROPRIETARY AND CONFIDENTIAL

THE INFORMATION CONTAINED IN THIS DRAWING IS THE SOLE PROPERTY OF FIRST HEALTHCARE PRODUCTS. ANY REPRODUCTION IN PART OR AS A WHOLE WITHOUT THE WRITTEN PERMISSION OF FIRST HEALTHCARE PRODUCTS IS PROHIBITED.



DESCRIPTION:

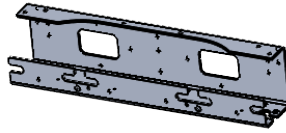
MOV-IT LAPTOP CART

SIZE A	CART NO. MOVITLC	REV -
WEIGHT: 33 LBS.		SHEET 1 OF 2

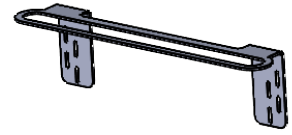
ACCESSORY OPTIONS



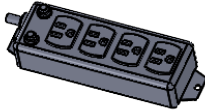
P7T
PHENOLIC SLIDE OUT
MOUSE TRAY



P3T
CABLE MANAGEMENT/BRICK HOLDER



P5T
LAPTOP RETAINER MOUNT
REQUIRES P3T



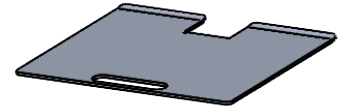
E1T
TRIPP-LITE LIT, 10'
CURLY DRIVE



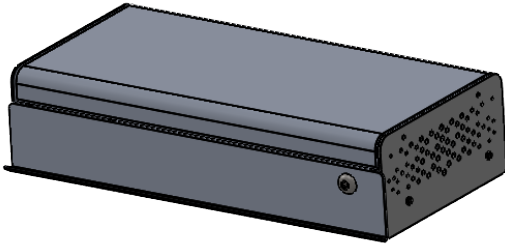
M12
JABRA MOUNT



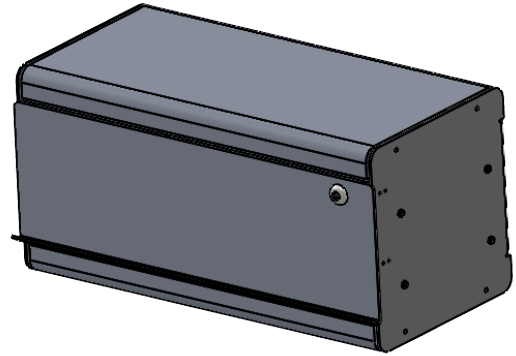
M21
CAVI WIPE KIT



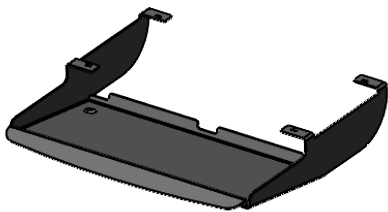
M25
SHROUD MOUNTED SHELF



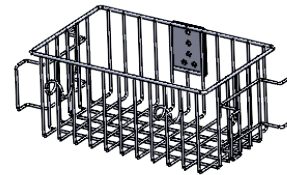
D9
UNIVERSAL DRAWER , SINGLE 3"
CAN ONLY USE ONE OPTION



D1
UNIVERSAL DRAWER , SINGLE 6"
CAN ONLY USE ONE OPTION



M8T
LOWER FIXED KEYBOARD TRAY
CAN ONLY USE ONE OPTION



B6W
BASKET W/HOOKS, 13"x8"x6"

PROPRIETARY AND CONFIDENTIAL

THE INFORMATION CONTAINED IN THIS DRAWING IS THE SOLE PROPERTY OF FIRST HEALTHCARE PRODUCTS. ANY REPRODUCTION IN PART OR AS A WHOLE WITHOUT THE WRITTEN PERMISSION OF FIRST HEALTHCARE PRODUCTS IS PROHIBITED.



DESCRIPTION:

MOV-IT LAPTOP CART

SIZE A	CART NO. MOVITLC	REV -
WEIGHT: 33 LBS.		SHEET 2 OF 2