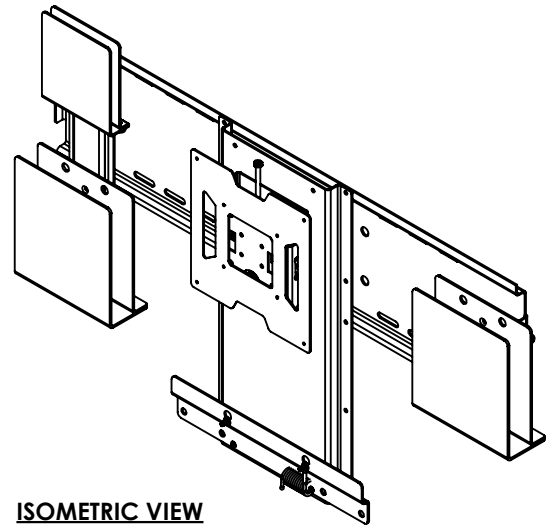
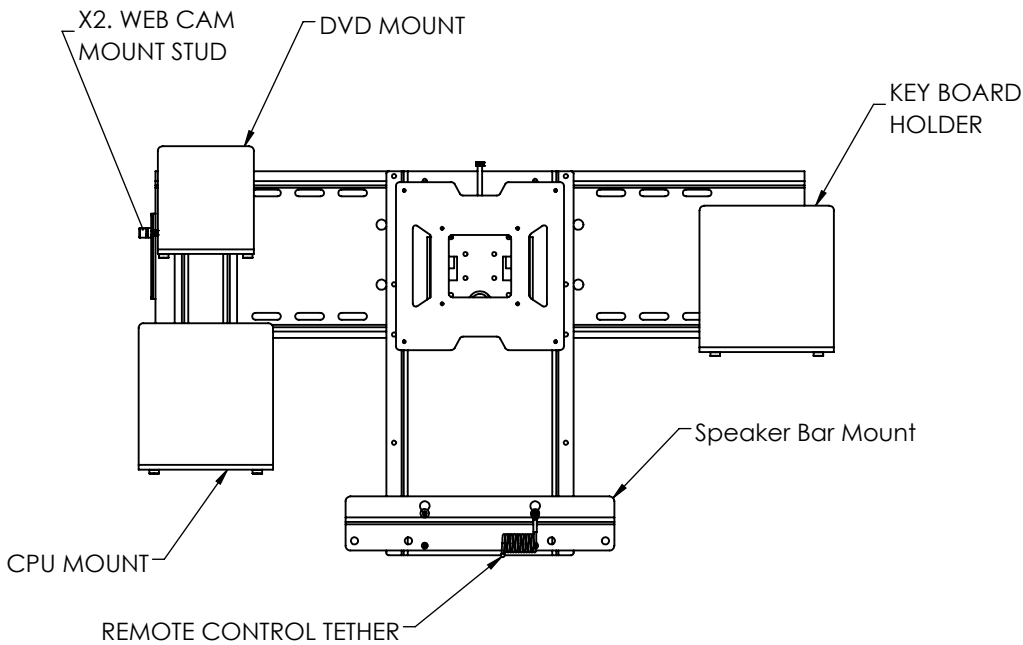


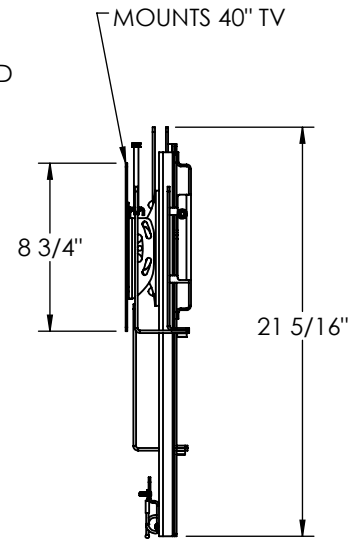
TOP VIEW



ISOMETRIC VIEW



FRONT VIEW



SIDE VIEW

PROPRIETARY AND CONFIDENTIAL

THE INFORMATION CONTAINED IN THIS DRAWING IS THE SOLE PROPERTY OF FIRST HEALTHCARE PRODUCTS. ANY REPRODUCTION IN PART OR AS A WHOLE WITHOUT THE WRITTEN PERMISSION OF FIRST HEALTHCARE PRODUCTS IS PROHIBITED.



DESCRIPTION:

FIXED HEIGHT 40" TV WALL MOUNT

SIZE A	CART NO. IN2L400	REV -
------------------	----------------------------	-----------------

WEIGHT: 35 lbs.

SHEET 1 OF 1