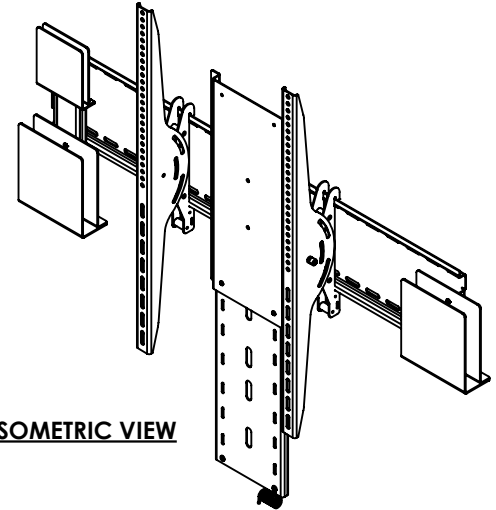
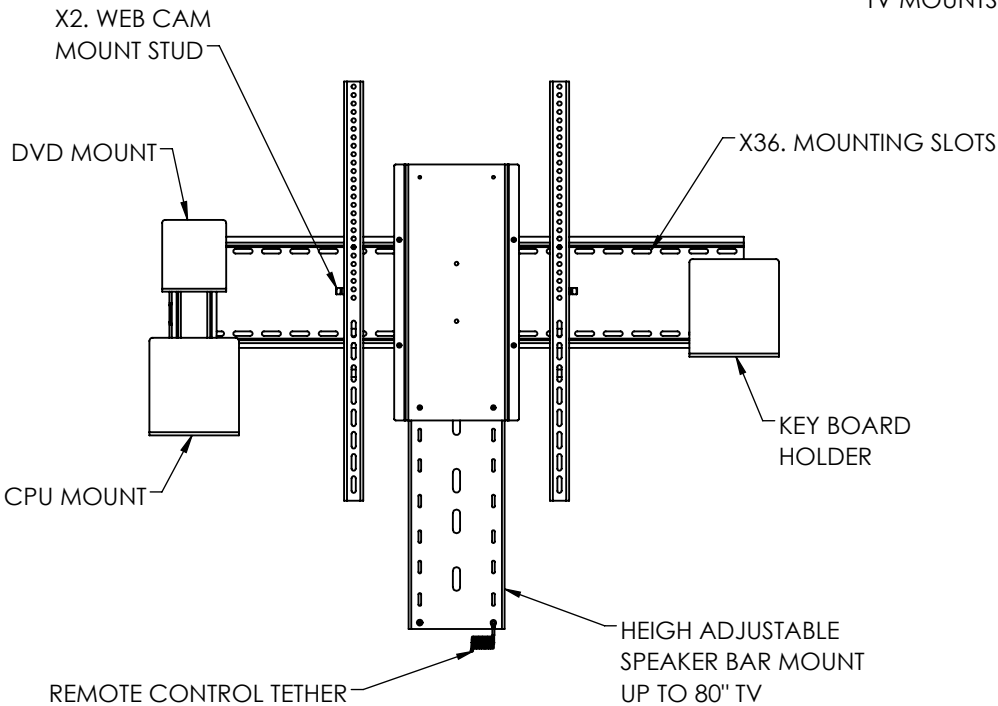


**TOP VIEW**

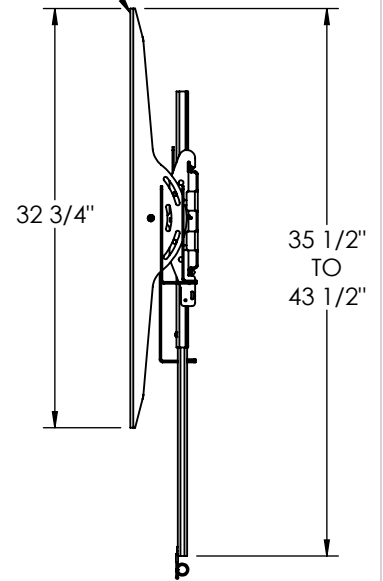


**ISOMETRIC VIEW**



**FRONT VIEW**

TV MOUNTS UP TO 80" TV



**SIDE VIEW**

**PROPRIETARY AND CONFIDENTIAL**

THE INFORMATION CONTAINED IN THIS DRAWING IS THE SOLE PROPERTY OF FIRST HEALTHCARE PRODUCTS. ANY REPRODUCTION IN PART OR AS A WHOLE WITHOUT THE WRITTEN PERMISSION OF FIRST HEALTHCARE PRODUCTS IS PROHIBITED.



**DESCRIPTION:**

**FIXED HEIGHT TV WALL MOUNT**

SIZE <b>A</b>	CART NO. <b>IN2L300</b>	REV <b>-</b>
WEIGHT: 44 lbs.		SHEET 1 OF 1