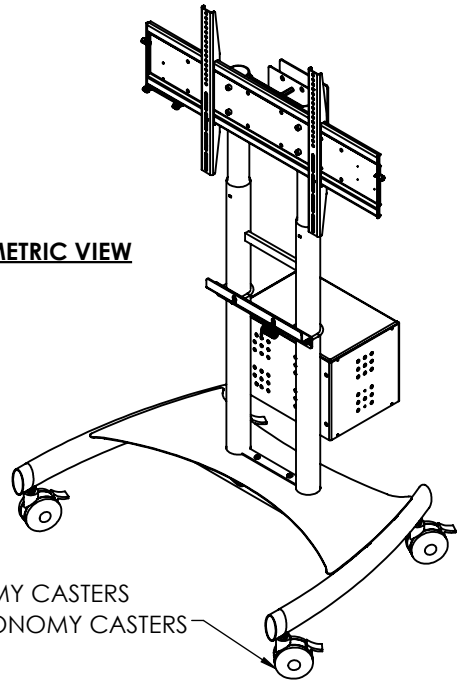
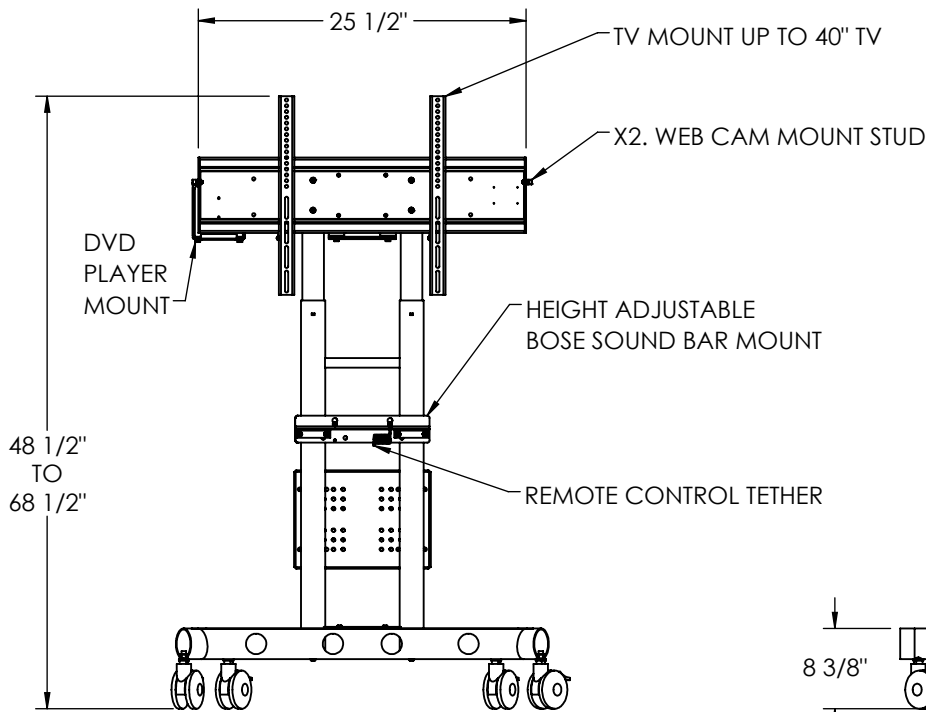


TOP VIEW

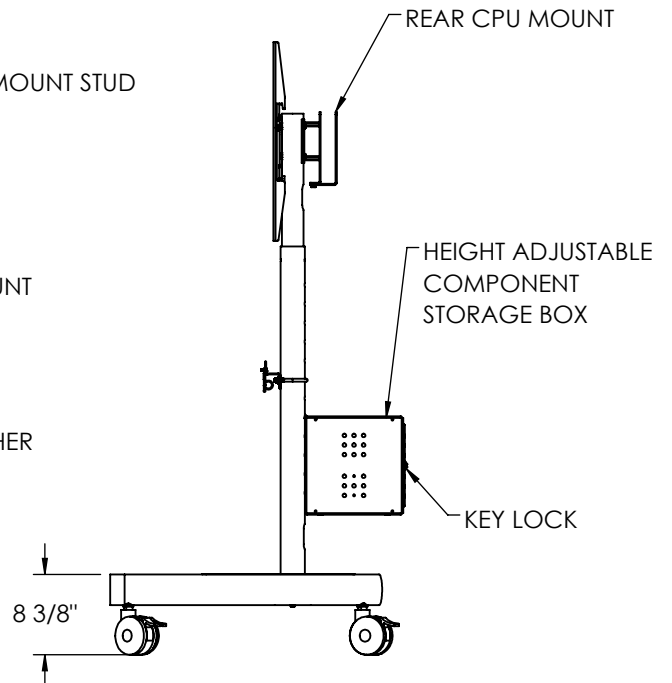
ISOMETRIC VIEW



(2) Ø 4" ECONOMY CASTERS
(2) Ø 4" LOCKING ECONOMY CASTERS



FRONT VIEW



SIDE VIEW

PROPRIETARY AND CONFIDENTIAL

THE INFORMATION CONTAINED IN THIS DRAWING IS THE SOLE PROPERTY OF FIRST HEALTHCARE PRODUCTS. ANY REPRODUCTION IN PART OR AS A WHOLE WITHOUT THE WRITTEN PERMISSION OF FIRST HEALTHCARE PRODUCTS IS PROHIBITED.



DESCRIPTION:

40 IN TV CART

SIZE A	CART NO. IN2L240	REV -
WEIGHT: 65lbs.		SHEET 1 OF 1