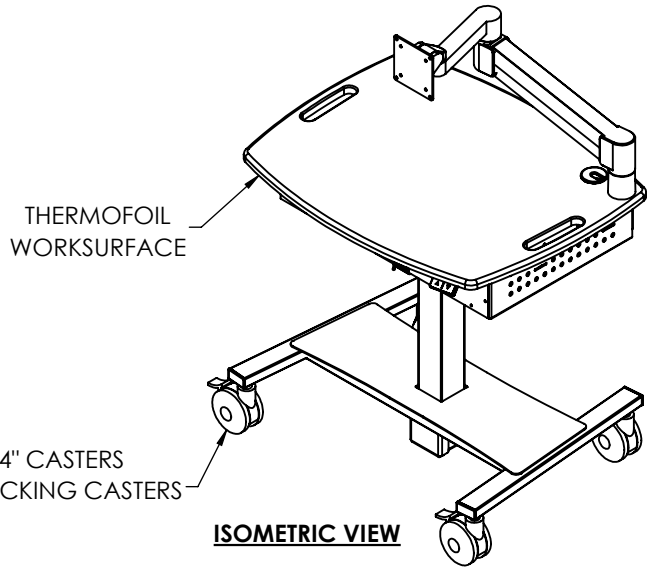
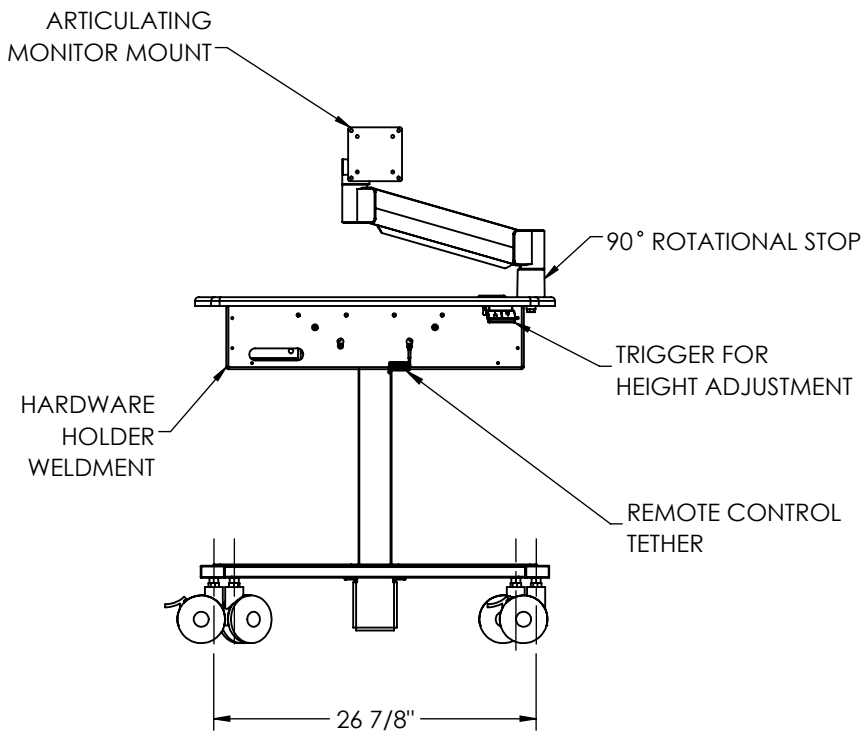


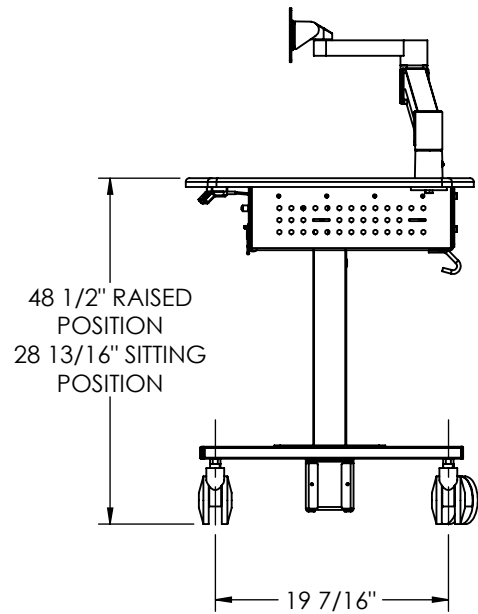
TOP VIEW



ISOMETRIC VIEW



FRONT VIEW



SIDE VIEW

REVISIONS	DESCRIPTION
B	- REMOTE CONTROL TETHER

PROPRIETARY AND CONFIDENTIAL

THE INFORMATION CONTAINED IN THIS DRAWING IS THE SOLE PROPERTY OF FIRST HEALTHCARE PRODUCTS. ANY REPRODUCTION IN PART OR AS A WHOLE WITHOUT THE WRITTEN PERMISSION OF FIRST HEALTHCARE PRODUCTS IS PROHIBITED.



DESCRIPTION: OPTIPLEX CART		
SIZE A	CART NO. IN2L100RB	REV B
WEIGHT:		SHEET 1 OF 1