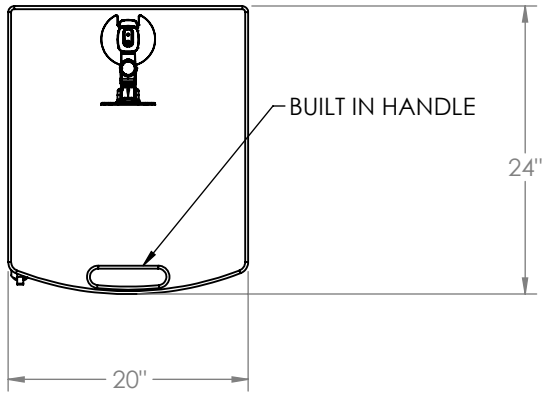
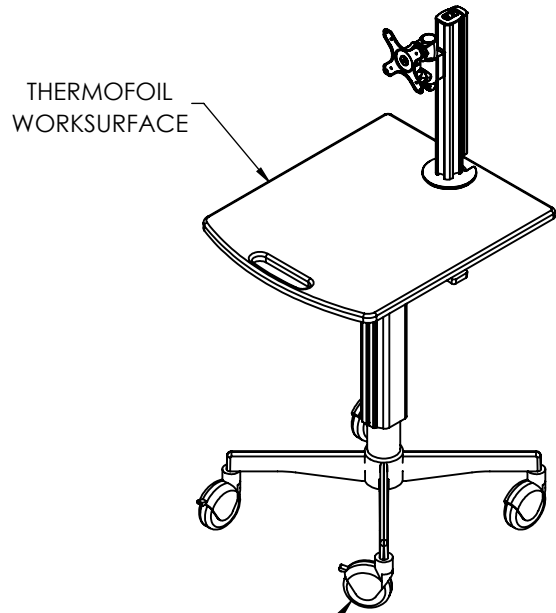


SPEC DRAWING

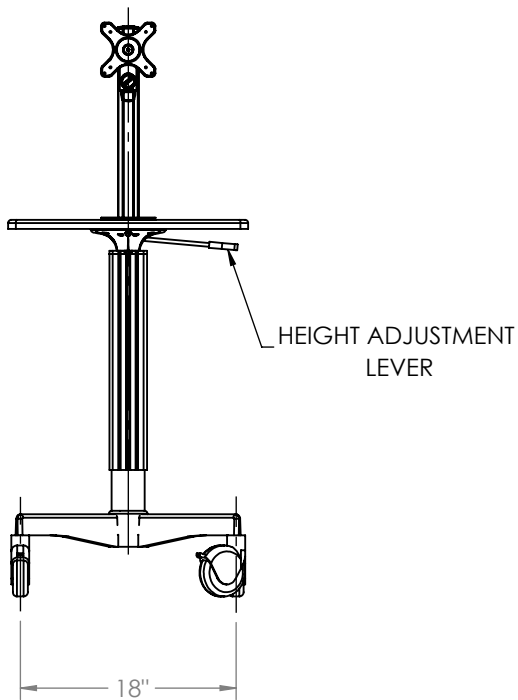


TOP VIEW

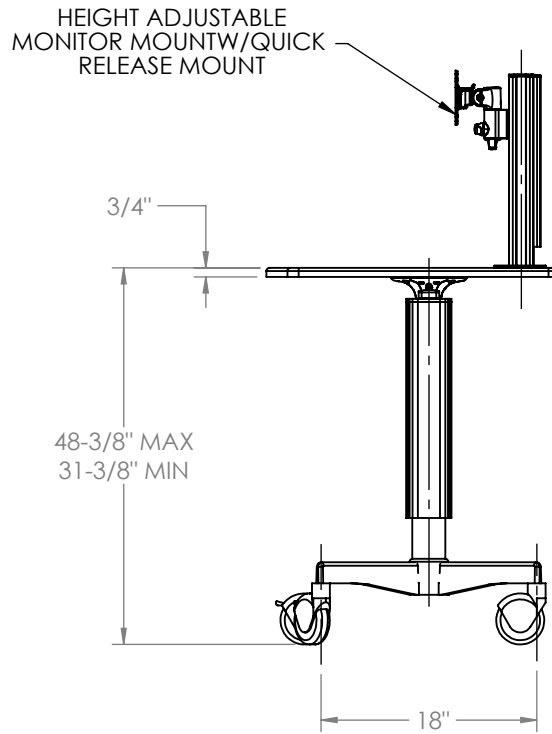


ISOMETRIC VIEW

(2) 4" COVERED CASTERS - LOCKING
(2) 4" COVERED CASTERS - NON LOCKING



FRONT VIEW



SIDE VIEW

PROPRIETARY AND CONFIDENTIAL

THE INFORMATION CONTAINED IN THIS DRAWING IS THE SOLE PROPERTY OF FIRST HEALTHCARE PRODUCTS. ANY REPRODUCTION IN PART OR AS A WHOLE WITHOUT THE WRITTEN PERMISSION OF FIRST HEALTHCARE PRODUCTS IS PROHIBITED.

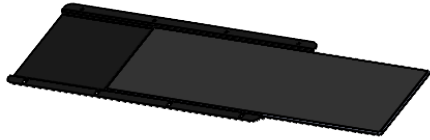


DESCRIPTION:

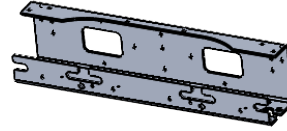
MOV-IT MONITOR CART

SIZE A	CART NO. MOVITMC	REV -
WEIGHT: 35 LBS.		SHEET 1 OF 2

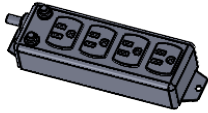
ACCESSORY OPTIONS



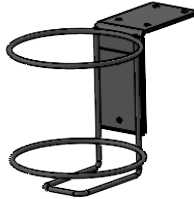
P7T
PHENOLIC SLIDE OUT
MOUSE TRAY



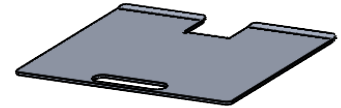
P3T
CABLE MANAGEMENT/BRICK HOLDER



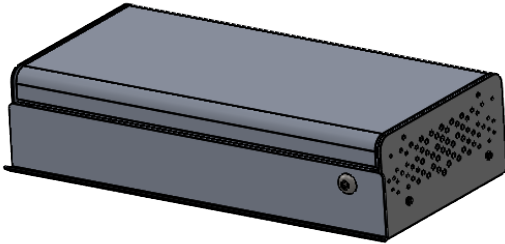
E1T
TRIPP-LITE LIT, 10'
CURLY DRIVE



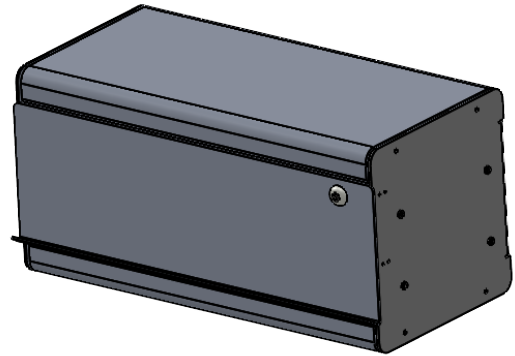
M21
CAVI WIPE KIT



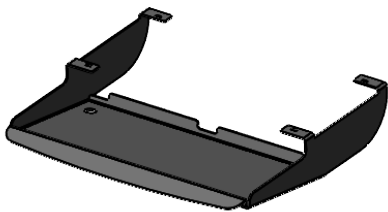
M25
SHROUD MOUNTED SHELF



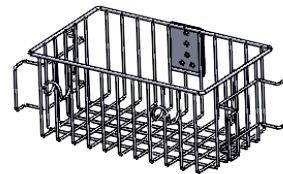
D9
UNIVERSAL DRAWER , SINGLE 3"
CAN ONLY USE ONE OPTION



D1
UNIVERSAL DRAWER , SINGLE 6"
CAN ONLY USE ONE OPTION



M8T
LOWER FIXED KEYBOARD TRAY
CAN ONLY USE ONE OPTION



B6W
BASKET W/HOOKS, 13"x8"x6"

PROPRIETARY AND CONFIDENTIAL

THE INFORMATION CONTAINED IN THIS DRAWING IS THE SOLE PROPERTY OF FIRST HEALTHCARE PRODUCTS. ANY REPRODUCTION IN PART OR AS A WHOLE WITHOUT THE WRITTEN PERMISSION OF FIRST HEALTHCARE PRODUCTS IS PROHIBITED.



DESCRIPTION:

MOV-IT MONITOR CART

SIZE A	CART NO. MOVITMC	REV -
WEIGHT: 33 LBS.		SHEET 2 OF 2