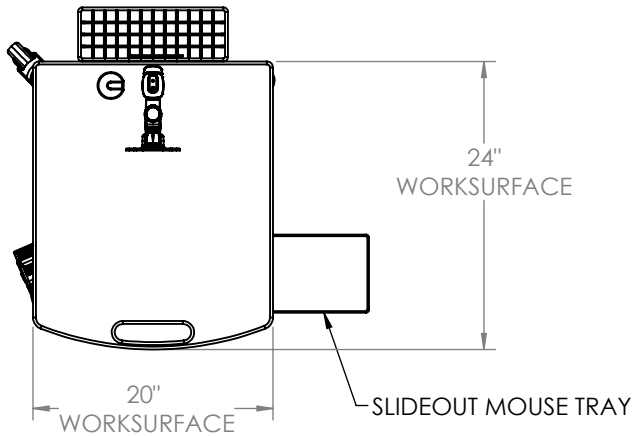
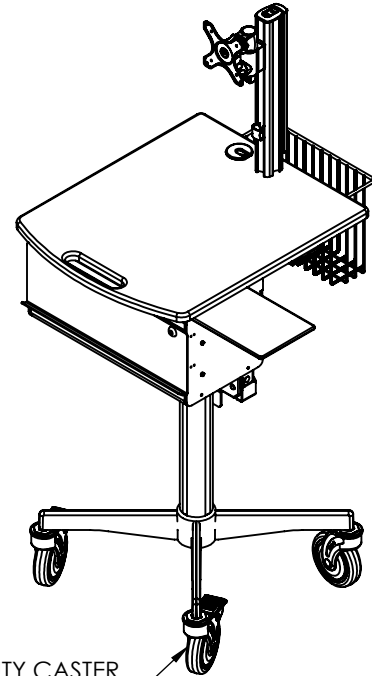


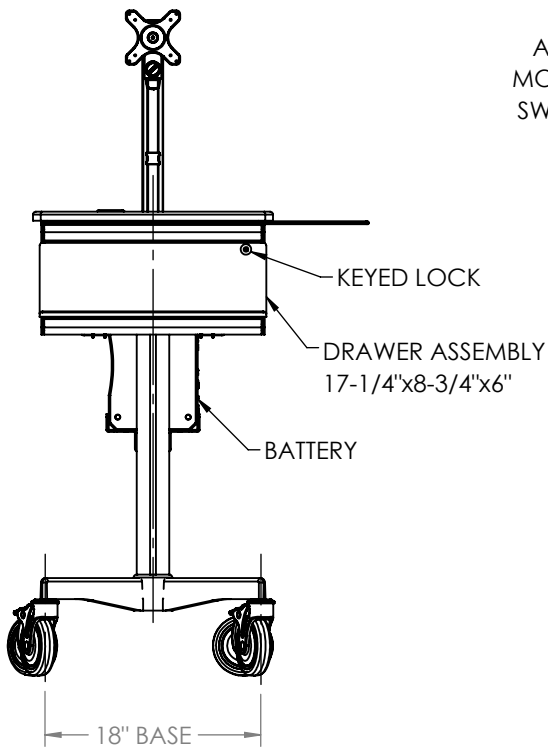
SPEC DRAWING



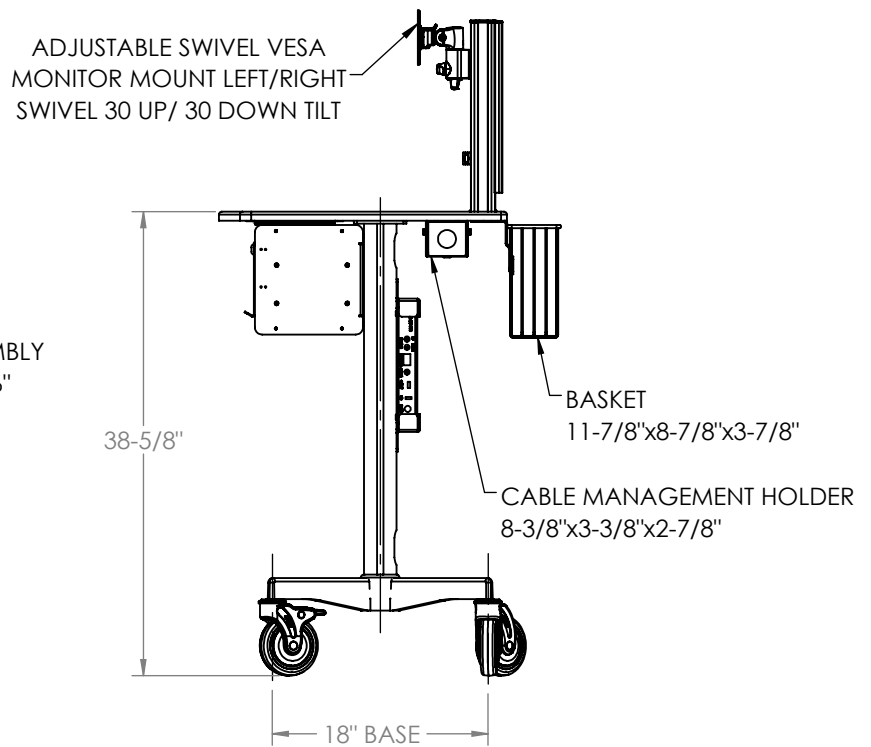
TOP VIEW



ISOMETRIC VIEW



FRONT VIEW



SIDE VIEW

PROPRIETARY AND CONFIDENTIAL

THE INFORMATION CONTAINED IN THIS DRAWING IS THE SOLE PROPERTY OF FIRST HEALTHCARE PRODUCTS. ANY REPRODUCTION IN PART OR AS A WHOLE WITHOUT THE WRITTEN PERMISSION OF FIRST HEALTHCARE PRODUCTS IS PROHIBITED.



DESCRIPTION:

SPEC DRAWING

SIZE A	CART NO. CC-0012	REV -
WEIGHT: 60 LBS.		SHEET 1 OF 1